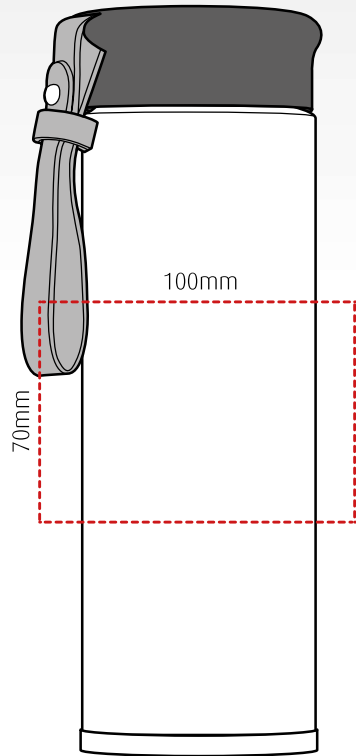
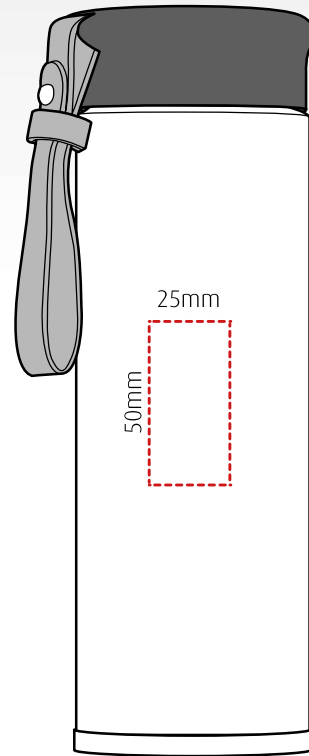


Powder coated, double-walled, stainless steel bottle with soft touch lid - 450 ml

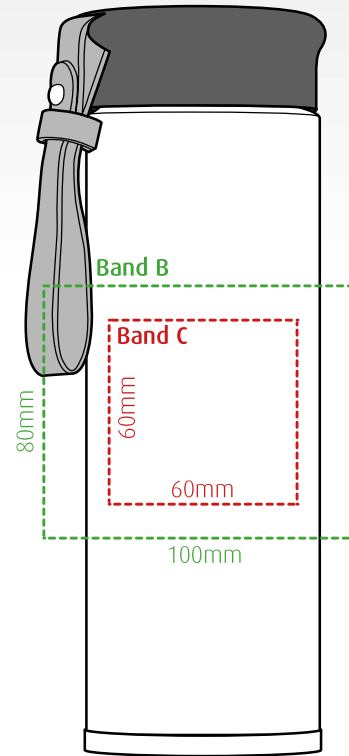
Height: 200mm Width: 77mm (top), 65mm (base)



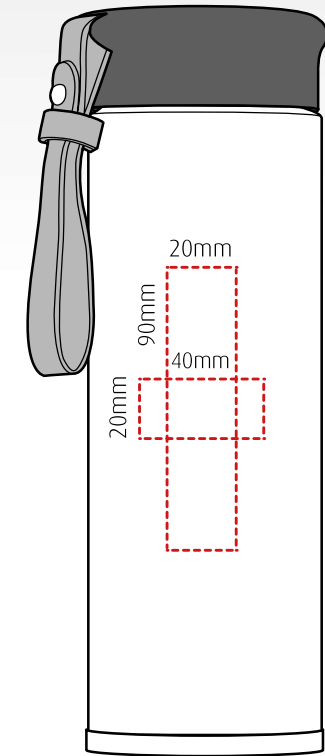
1 colour rotary screen print



Up to 4 spot colours pad print



Full colour



Laser engraving

All branding areas are to be used as a guide and are subject to sight of artwork.

Materials: 304 stainless steel, silicone, PU
Colours: Black, olive
Height: 200mm
Diameter: 77mm (top), 65mm (base)

Capacity: 450ml
Weight: 230g
Country of origin: China
HS Code: 73239300

Box dimensions: 75 x 75 x 215 mm
No. per carton: 40
Carton dimensions: 48 x 40 x 45 cm
GW: 18kg