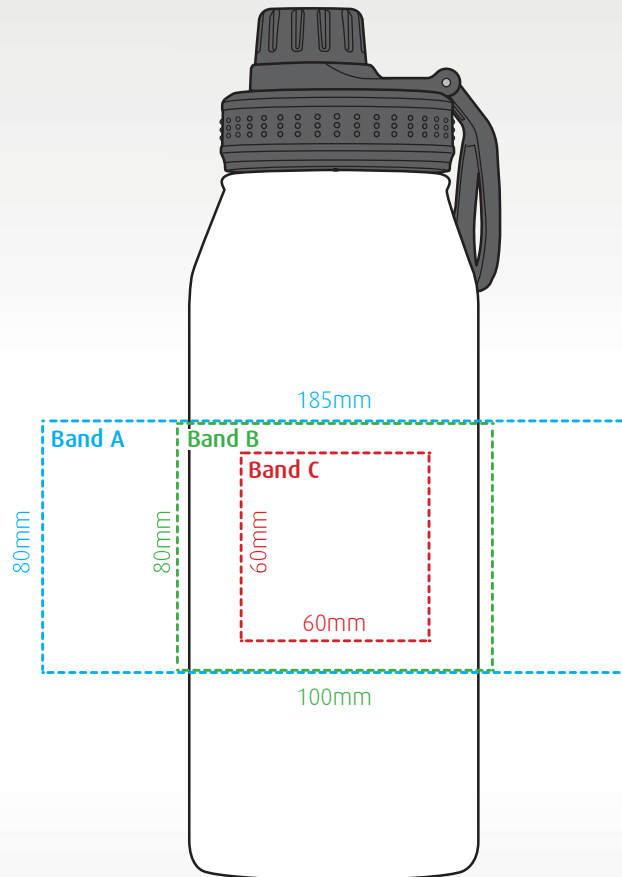


# everest

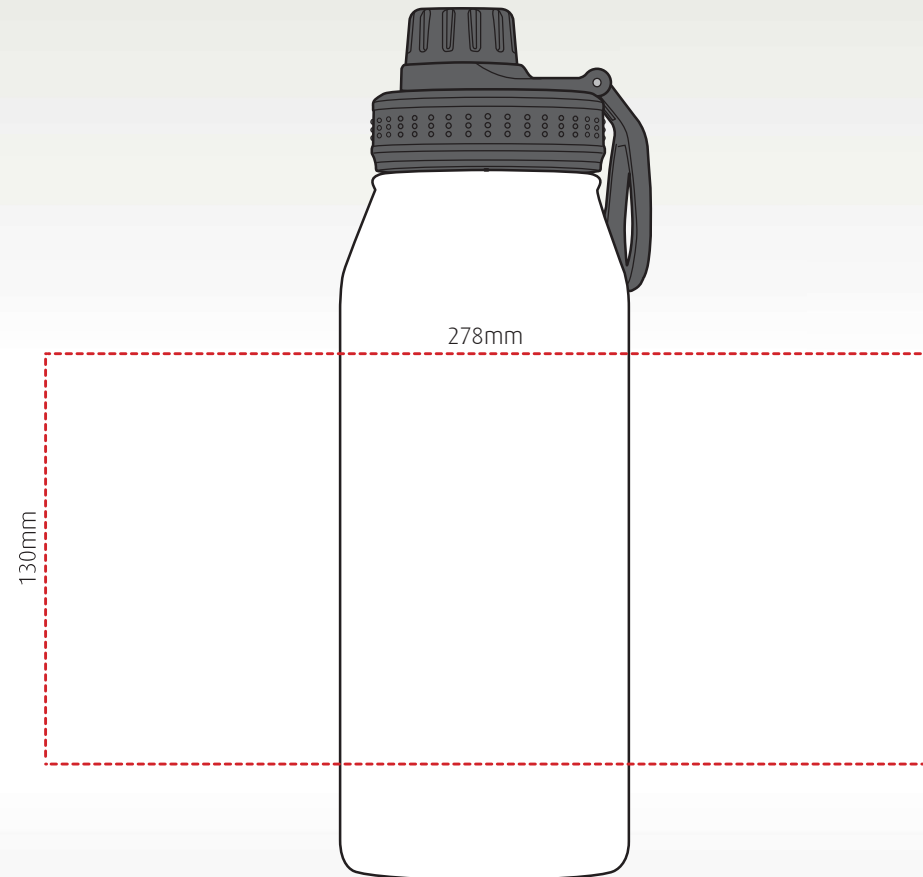
branding template

Large capacity, double-walled, stainless steel bottle - 950ml

Height: 260mm Width: 85mm



Full colour heat transfer



UV digital wrap

All branding areas are to be used as a guide and are subject to sight of artwork.

**Materials:** 304 stainless steel, food grade silicone, PP plastic  
**Colours:** Black, white  
**Height:** 260mm  
**Diameter:** 85mm (base)

**Capacity:** 950ml  
**Weight:** 422g  
**Country of origin:** China  
**HS Code:** 7323930090

**Box dimensions:** 93 x 93 x 270 mm  
**No. per carton:** 24  
**Carton dimensions:** 58 x 39.5 x 29 cm  
**GW:** 12.3kg