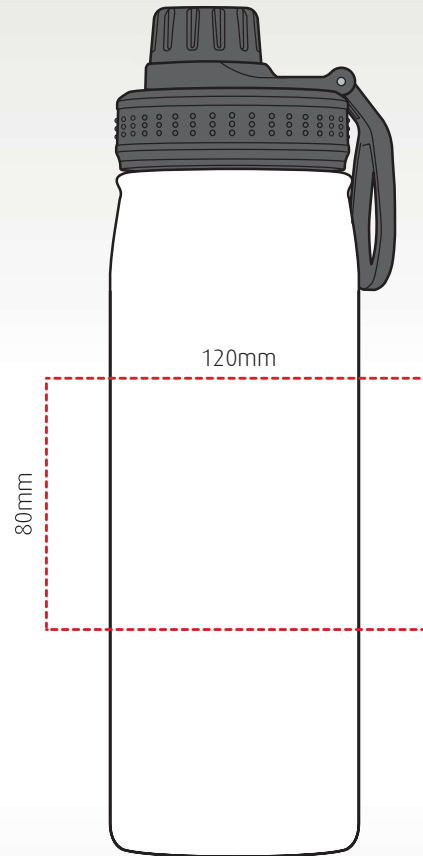


k2

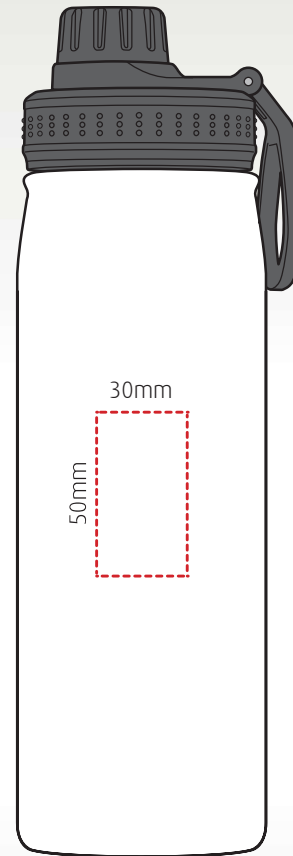
branding template

Durable, insulated, stainless steel bottle - 650ml

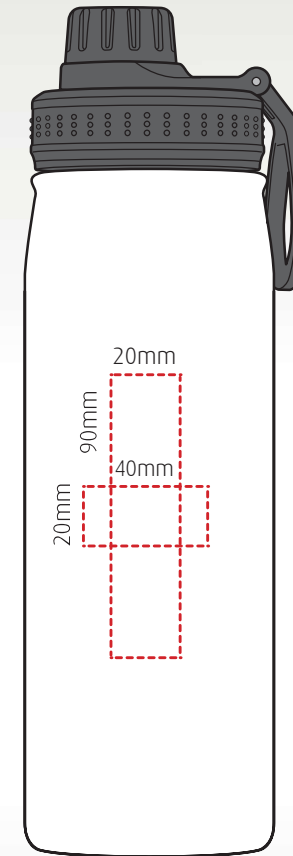
Height: 251mm Width: 74mm



1 colour rotary screen print



Up to 4 spot colours pad print



Laser engraving

All branding areas are to be used as a guide and are subject to sight of artwork.

Materials: 304 stainless steel, food grade silicone, PP plastic
Colours: Black, white, blue, black/red, black/orange, black/blue, black/white
Height: 250mm
Diameter: 73mm

Capacity: 650ml
Weight: 347g
Country of origin: China
HS Code: 7323930090

Box dimensions: 85 x 85 x 255 mm
No. per carton: 24
Carton dimensions: 52.5 x 35.5 x 28 cm
GW: 10kg